

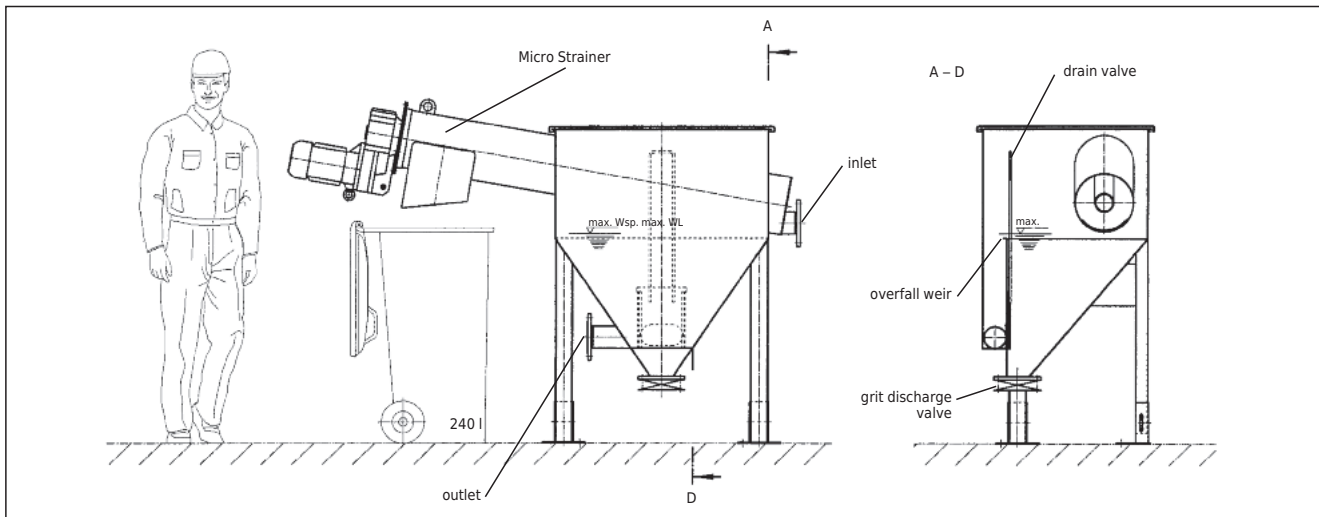
ROTAMAT®

Mini Complete Plant MiniCop



Screenings and Grit Removal

- For sewage treatment plants up to 5 l/s
- For confined space
- Easy-to-operate construction



►► The problem:

The requirement is a low-cost and space-saving machine for separation of screenings and grit on small plants with a maximum flow rate of 5 l/s, which is easy to operate and needs only minimum maintenance.

►► Our solution:

The ROTAMAT® Mini Complete Plant is based on the well-proven principle of the ROTAMAT® Micro Strainer. The integrated ROTAMAT® Micro Strainer separates the screenings prior to discharging them in dewatered condition. The screened wastewater flows out of the screen basket into the grit trap tank situated below the basket and is finally discharged over an overfall weir. Grit removal is achieved by means of the unaerated grit trap principle. Discharge of the separated grit is controlled by means of two manually operated valves. While the drain valve is used to drain the supernatant liquor

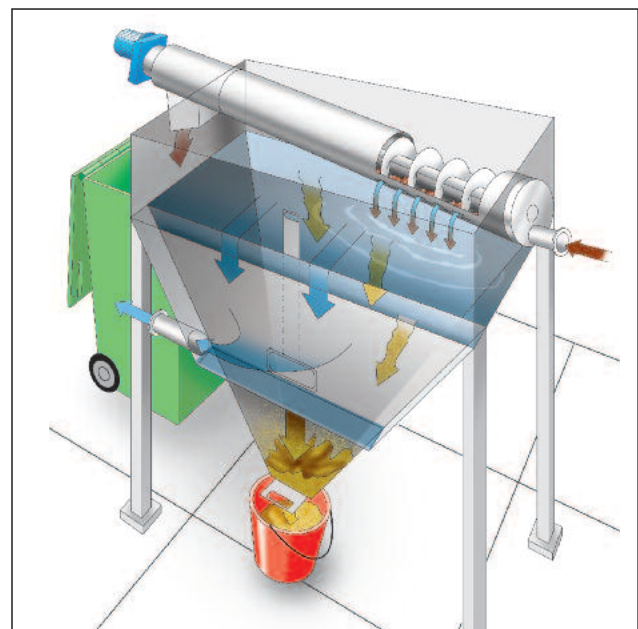
over the grit bed, the grit is discharged from the conical tank part into a skip by means of the grit discharge valve.

►► Applications:

The ROTAMAT® Mini Complete Plant is designed for small sewage treatment plants, flow rate up to 5 l/s, and is suitable for installation in front of pond plants, SBR plants, aeration plants or fixed bed aeration plants. For the first time, a cost-effective preliminary screen is available that ensures the operational reliability and efficiency of the biological treatment stage.

►► Advantages:

- Compact design
- Excellent cost-effective technical solution for small flow rates
- Protection of subsequent biological treatment stages against tressings and sediments



HUBER SE

Industriepark Erasbach A1 · D-92334 Berching
Phone: + 49 - 84 62 - 201 - 0 · Fax: + 49 - 84 62 - 201 - 810
info@huber.de · Internet: www.huber.de

Subject to technical modification
0,025 / 4 - 11.2009 - 9.2004

ROTAMAT®
Mini Complete Plant MiniCop